

Plug-In

Voltage Controlled Oscillator

POS-1060

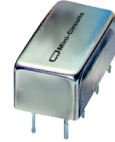
Linear Tuning 750 to 1060 MHz

Features

- wide tuning range
- 3 dB modulation bandwidth 1 MHz, typ.
- low phase noise
- hermetically sealed

Applications

- cellular up & down converters
- catv distribution set top converters
- agile communications systems
- test instruments



CASE STYLE:A06
PRICE: \$14.95 ea. QTY (5-49)

Electrical Specifications

MODEL NO.	FREQ. (MHz)		POWER OUTPUT (dBm)	TUNING VOLTAGE (V)		PHASE NOISE dBc/Hz SSB at offset frequencies: Typ.				PULLING pk-pk @ 12 dB _r (MHz)	PUSHING (MHz/V)	TUNING SENSITIVITY (MHz/V)	HARMONICS (dBc)		3 dB MODULATION BANDWIDTH (MHz)	DC OPERATING POWER	
	Min.	Max.	Typ.	Min.	Max.	1 kHz	10 kHz	100 kHz	1 MHz	Typ.	Typ.	Typ.	Typ.	Max.	Typ.	V _{cc} (volts)	Current (mA) Max.
POS-1060	750	1060	+12.0	1	20	-65	-90	-112	-132	50	3.0	18-32	-11	—	1.0	8	30

Pin Connections

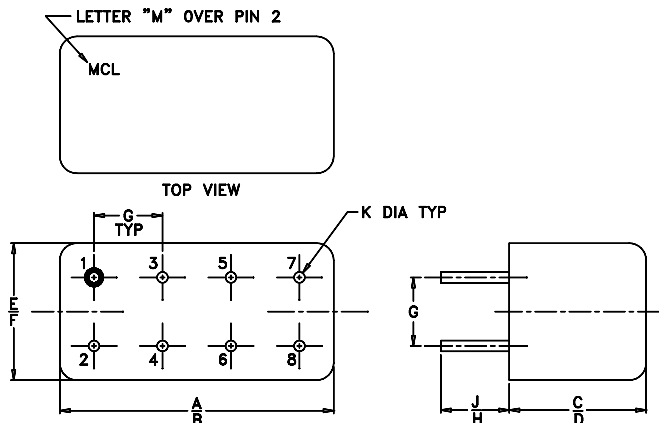
RF OUT	2
VCC	1
V-TUNE	8
GROUND	3,4,5,6,7
CASE GROUND	3,4,5,6,7

Maximum Ratings

Operating Temperature	-55°C to 85°C
Storage Temperature	-55°C to 100°C
Absolute Max. Supply Voltage (V _{cc})	+10V
Absolute Max. Tuning Voltage (V _{tune})	+22V

all specifications: 50 ohm system

Outline Drawing



NOTE: BLUE BEAD INDICATES PIN 1.
PIN NUMBERS DO NOT APPEAR ON UNIT,
FOR REFERENCE ONLY.

Outline Dimensions (inch/mm)

A	B	C	D	E	F	G	H	J	K	wt.
.770	.800	.285	.310	.370	.400	.200	.20	.14	.031	grams
19.56	20.32	7.24	7.87	9.40	10.16	5.08	5.08	3.56	.79	5.2



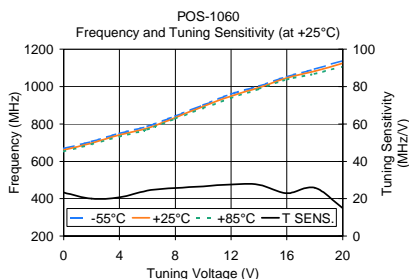
INTERNET <http://www.minicircuits.com>

P.O. Box 350166, Brooklyn, New York 11235-0003 (718) 934-4500 Fax (718) 332-4661

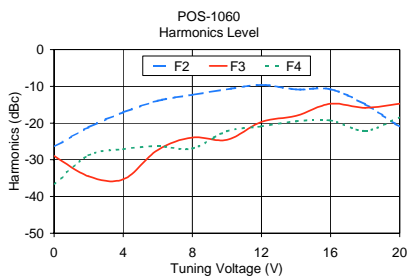
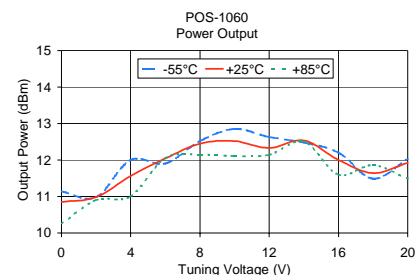
Distribution Centers NORTH AMERICA 800-654-7949 • 417-335-5935 • Fax 417-335-5945 • EUROPE 44-1252-832600 • Fax 44-1252-837010

Mini-Circuits ISO 9001 & ISO 14001 Certified

REV. G
M95456
POS-1060
SK/TD/CP
051103
page 1 of 2



V TUNE	TUNING SENS. (MHz/V)	FREQUENCY (MHz)			POWER OUTPUT (dBm)		
		-55°C	+25°C	+85°C	-55°C	+25°C	+85°C
0.0	23.3	667.9	660.1	652.4	11.1	10.8	10.2
2.0	19.9	705.7	697.6	690.6	10.9	10.9	10.9
4.0	20.7	749.1	741.3	732.1	12.0	11.5	11.0
6.0	24.3	786.4	777.5	770.0	11.9	12.0	12.0
8.0	25.6	841.5	833.6	826.9	12.5	12.4	12.1
10.0	26.6	901.1	893.7	884.1	12.8	12.5	12.1
12.0	27.6	959.4	949.3	938.4	12.6	12.3	12.1
14.0	27.4	1002.4	994.5	986.8	12.4	12.5	12.5
16.0	23.00	1052.0	1046.3	1037.3	12.2	12.0	11.6
18.0	25.8	1092.7	1083.0	1067.8	11.4	11.6	11.8
20.0	14.9	1138.6	1124.1	1108.0	12.0	11.9	11.4



V TUNE	HARMONICS (dBc)			FREQ. PUSHING (MHz/V)
	F2	F3	F4	
0.0	-26.4	-28.9	-36.7	1.45
2.0	-21.1	-34.5	-28.8	1.60
4.0	-17.1	-35.3	-27.1	1.73
6.0	-13.9	-27.3	-26.3	1.97
8.0	-12.3	-23.9	-26.9	2.04
10.0	-10.8	-24.5	-22.2	2.21
12.0	-9.6	-19.7	-20.9	2.46
14.0	-10.8	-17.9	-19.5	2.69
16.0	-10.7	-14.7	-19.2	2.79
18.0	-14.8	-15.8	-22.1	4.59
20.0	-20.9	-14.7	-18.4	3.52

