

MASTER CYLINDER

∅14.0

CALIPER PISTON DIAMETER

∅30.23+∅27.0

$$S = 20.7 \times 4 = 82.8 \text{ cm}^2$$

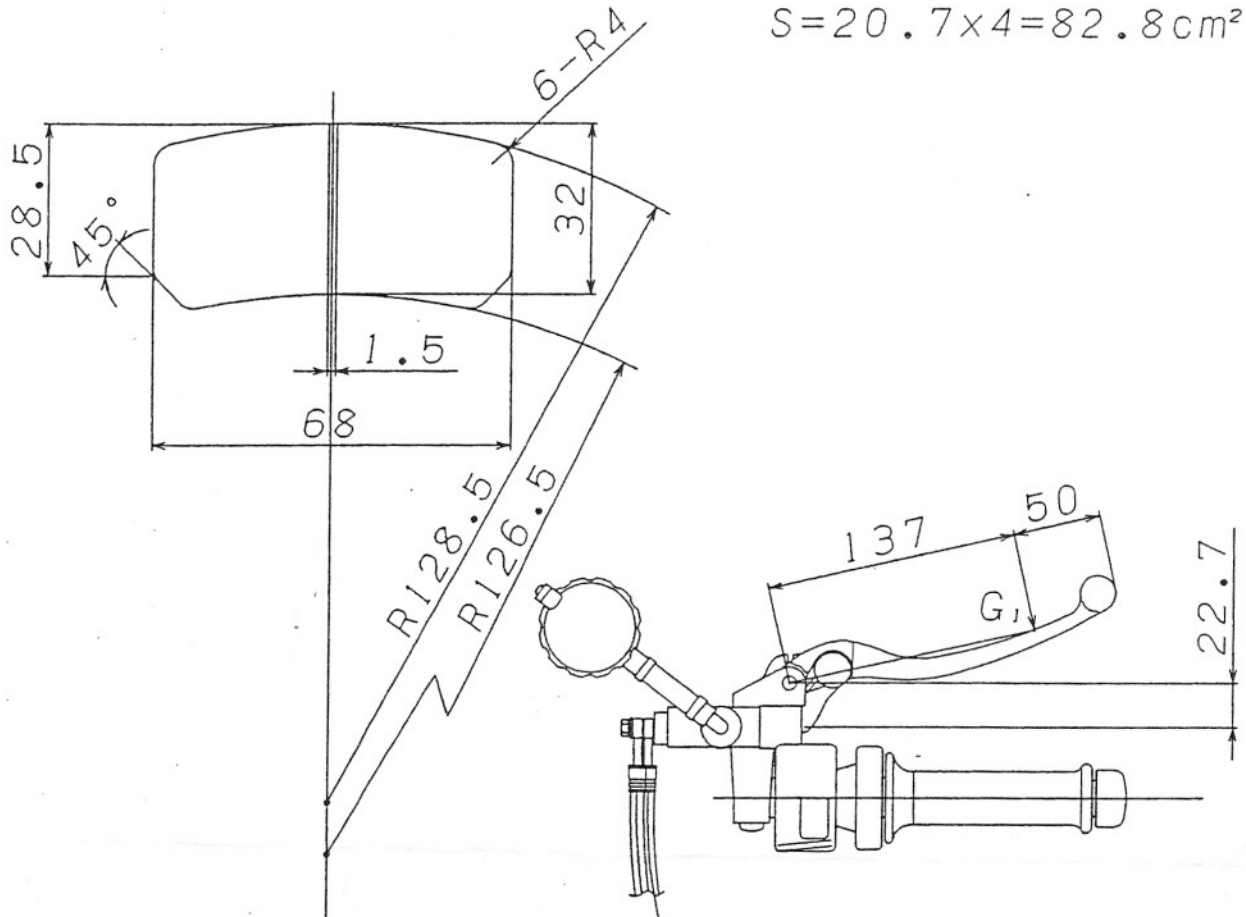


Fig. 7.1(1/2)  
BRAKE SYSTEM (FRONT)  
TYPE : RNO4

YAMAHA MOTOR CO., LTD.

