




# WARRANTY BULLETIN

## Warranty Campaign

**CAUTION:** All involved customers must be notified, all involved units must be corrected as per instruction herein.

Campaign no.: 2016-0006

October 20th, 2016 Subject: **1630 Supercharger Impeller Replacement** No. **2016-4**

Model year	Model	Serial numbers
2016	RXP-X 300, GTX LIMITED 300 and RXT-X 300	Refer to campaign monitoring
<p><b>IMPORTANT</b></p> <ul style="list-style-type: none"> <li>When a unit comes in for service, always type the VIN in Knowledge Center to check for pending campaigns or alerts.</li> </ul>		
<ul style="list-style-type: none"> <li>When performing any work on a vehicle, it is good practice to connect it to BUDS2 to ensure that all needed updates are done. </li> </ul>		

## PROBLEM

The 1630 supercharger impeller vanes may break and cause damages to the outlet hose and possibly to the intercooler and engine.

## SOLUTION

Replace impeller.  
 Perform *SYSTEM UPDATES*.  
 There is an iBR update to be installed.

## REQUIRED PART

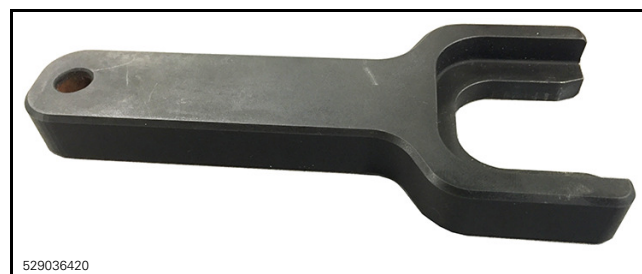
### Order Parts as per Normal Channel

Description	Part number	Quantity
Compressor Impeller Kit	295501166 (includes Impeller, O-rings and cup nut)	1

Please note that there will be a limited amount of parts available until November 2016.

## Tools

Description	Part number	Quantity
Locking Tool	SUPERCHARGER LOCKING TOOL (P/N 529 036 420)	1



### North American Dealers

BRP will **AUTO-SHIP** free of charge one Supercharger locking tool to every dealer who has at least one impacted VIN.

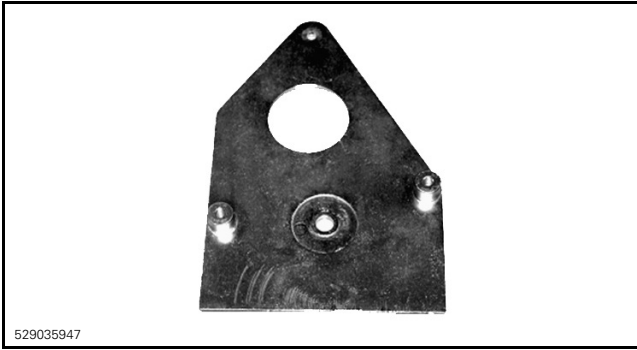
### International Dealers and Distributors

Please order the tools as per normal order procedure.

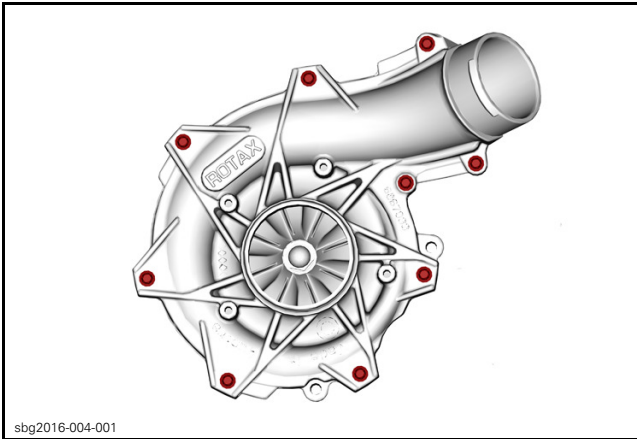
## PROCEDURE

Refer to appropriate *SHOP MANUAL* if necessary and perform the following:

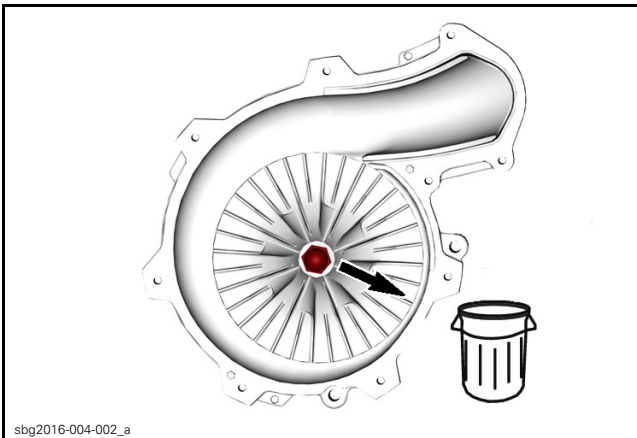
1. Remove supercharger from engine.
2. Mount supercharger on SUPPORT PLATE (P/N 529 035 947).



3. Open supercharger housing.

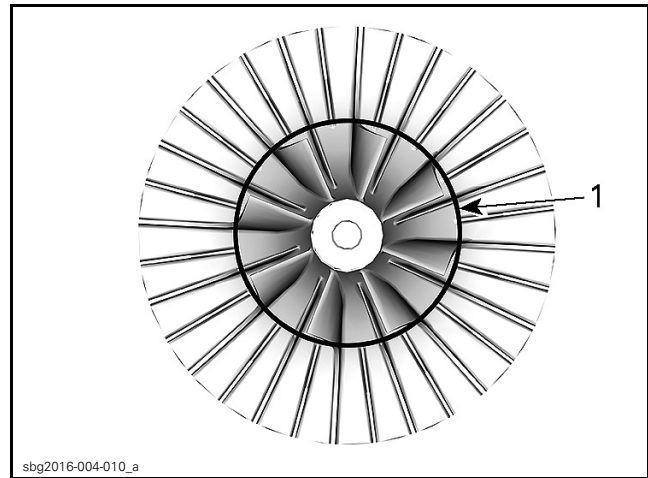


4. With locking tool in place, remove cup nut and shim holding impeller, discard cup nut only.



**NOTE:** Cup nut has left-hand tread.

5. With an electric heat gun, heat the impeller in circular motion until free or approximately 90 seconds and remove from shaft.



1. Zone to be heated

**NOTICE** Use appropriate hand protection When heating and handling the impeller. Serious burns may result.

6. Clean supercharger housing according to shop manual.
7. Heat new impeller in circular motion for approximately 90 seconds and mount on shaft.

**NOTE:** The impeller should be around  $90^{\circ}\text{C} \pm 10^{\circ}\text{C}$  ( $194^{\circ}\text{F} \pm 50^{\circ}\text{F}$ )

8. Install shim and supplied new cup nut.
9. With the locking tool in place, torque to specified value.

TIGHTENING TORQUE	
Cup nut	30 N•m (22 lbf•ft)

10. Reassemble the supercharger.
  11. Install supercharger according to shop manual.
- NOTE:** Install new oil O-rings.

## SYSTEM UPDATES

There is an iBR update to be installed.


## WARRANTY

Submit a warranty claim using the following information:

For claiming procedure, refer to the *DEALER/DISTRIBUTOR WARRANTY GUIDE*.

Click in the REPAIR BOX while completing your claim on BOSSWeb.

**\*Action**

Inspect       Repair  

mbg2012-010-004\_ben

<b>CAMPAIGN NUMBER</b>	<b>2016-0006</b>
Claim Type	Campaign claim
Action	Repair
Flat Rate Time	1.4 hour
Expiry Date	October 29, 2019